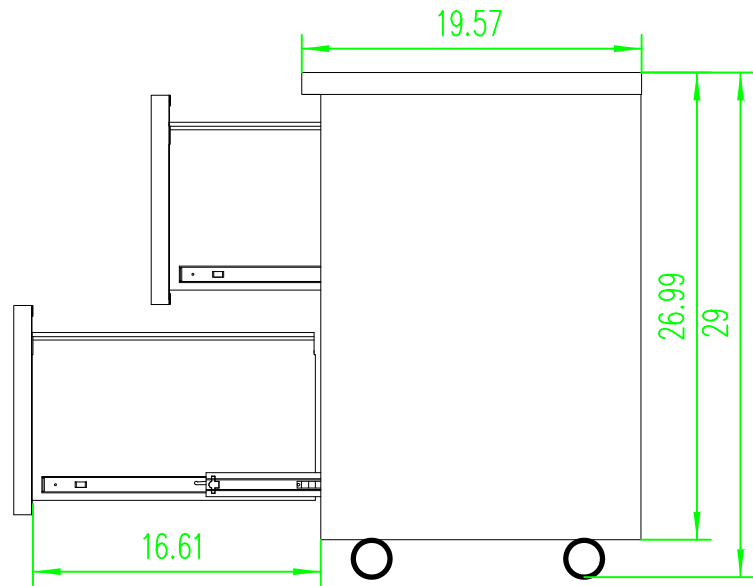
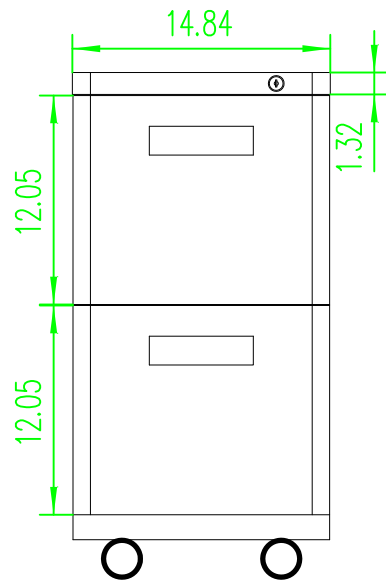
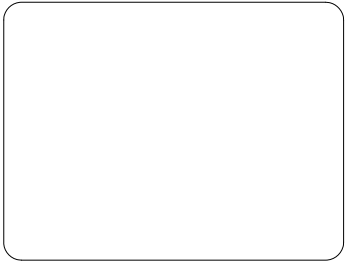


- ⊙ Heavy Gauge Steel Structure.
- ⊙ Three Step Ball Bearing Suspension.
- ⊙ Anti-tilt Counterweight.
- ⊙ Removable Lock Core.
- ⊙ Powder Coating: 40u-80u.



FF-SP-MP

HMU, LLC

Mobile Pedestal

Thickness

Weight
72.75 lb

File Name
FF-SP-MP

Date

2007/08/01

Edition

101

Scale

2.5:1

Unit

Inch