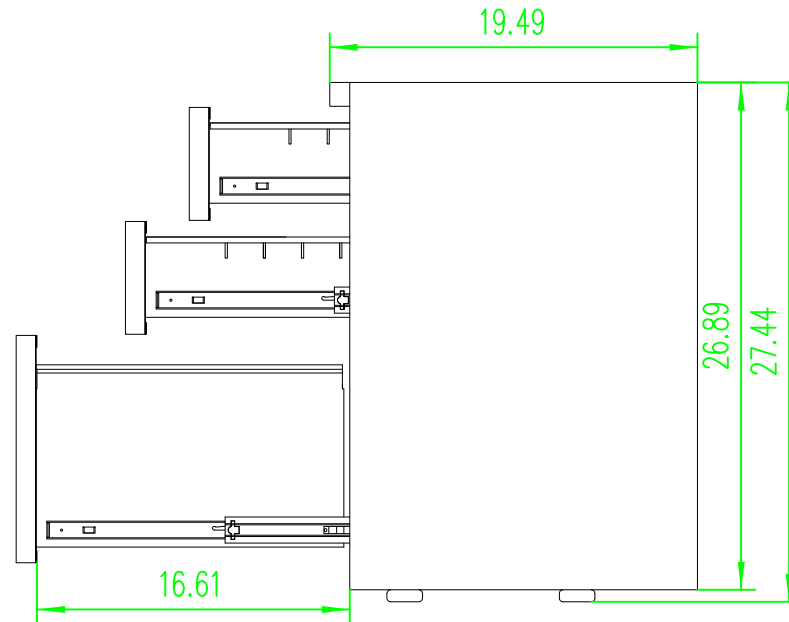
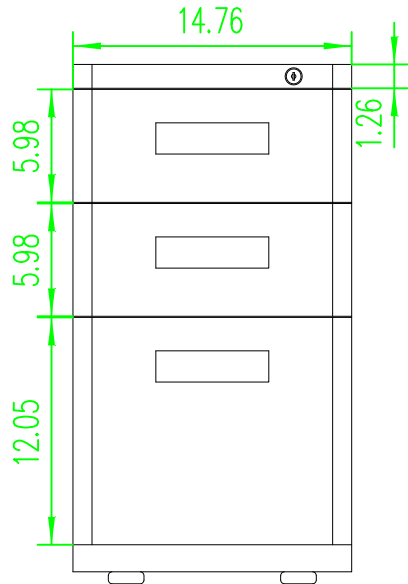
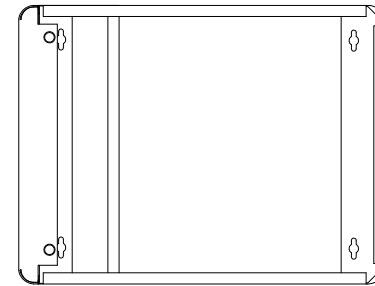


- ◎ Heavy Gauge Steel Structure.
- ◎ Three Step Ball Bearing Suspension.
- ◎ Removable Lock Core.
- ◎ Powder Coating: 40u-80u.



BBF-SP

HMU, LLC

Structural Pedestal

Thickness

Weight
51.81 lb

File Name
BBF-SP

Date
2007/08/01

Edition
101

Scale
2.5:1

Unit
Inch