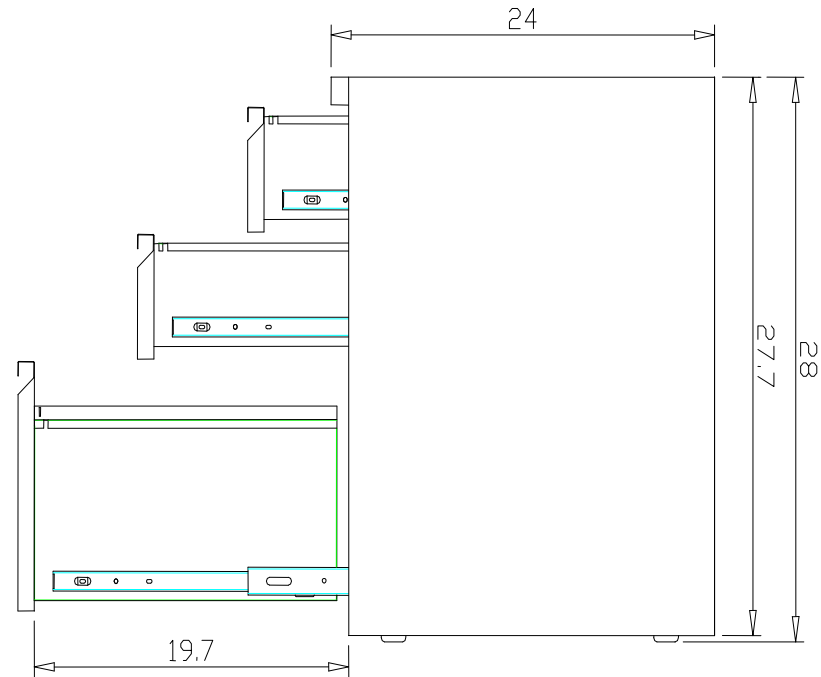
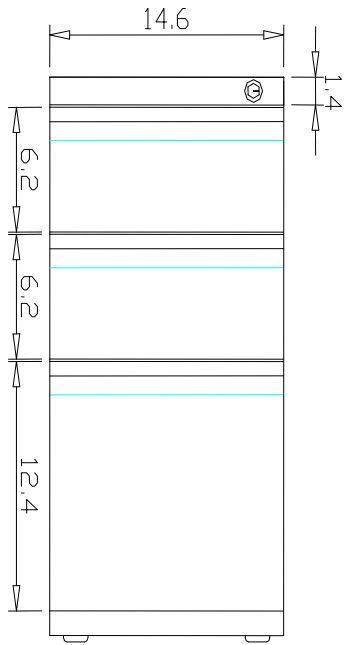
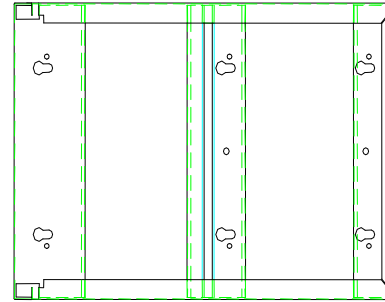


◎Three Step Steel Ball Bearing Suspension.

◎Removable Lock Core.

◎Powder Coating :40u~80u.



BBF-FP	HMU,LLC			Drafting by Apple		Designed by		Checked by	
	Pedestal	Thickness 22 Gage	Weight 50.71 lb	File name BBF-FP	Date 2007/01/20	Edition 01	Scale 1:7	Unit Inch	